

Tabilo



NAPA

Dining Height Table Legs

PRODUCT INFORMATION AND SPECIFICATIONS SHEET

GENERAL SPECIFICATIONS

COLUMN WIDTH	60 mm (x4)
METAL INSERTS	YES
CUT DOWNS	YES
OUTDOOR SUITABLE	NO
FINISH	SMOOTH
COLUMN MATERIAL	STEEL
FOOT MATERIAL	POLYPROPYLENE
SPIDER MATERIAL	STEEL

FEATURES AND BENEFITS

STRONG AND STURDY CONSTRUCTION
EASY TO ASSEMBLE - BOLT SCREWS IN END OF COLUMN
5 YEAR STRUCTURAL WARRANTY FOR PEACE OF MIND
ADAPT TO ANY SIZE TOP - JUST ADD MORE LEGS AS REQUIRED
4 COLOURS AVAILABLE. CAN BE POWDERCOATED.
EASY TO CLEAN
ADJUSTABLE FEET TO ADJUST TO UNEVEN SURFACES
IN STOCK FOR SAME DAY DESPATCH

PRODUCT SPECIFICATIONS FOR THE NAPA DINING HEIGHT LEGS (4 LEGS PER BOX)

SIZE / VARIATION NAME	Product code	Weight (KG)	DIMENSIONS (mm)			MAX TOP SIZE (mm)	
			Height	Width	Depth	ROUND	SQUARE
DINING HEIGHT	NAPA4	4.4	710	60	60	N/A	N/A



Chrome

NAPA4CHR



Black

NAPA4BLA



Grey

NAPA4GRY



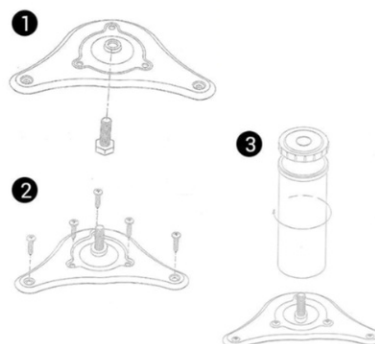
White

NAPA4WHI

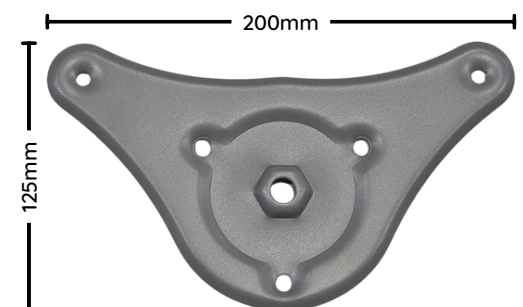
Adjustable feet



Fitting instructions



Spider dimensions



01686 620290



www.tabilo.co.uk



sales@tabilo.co.uk